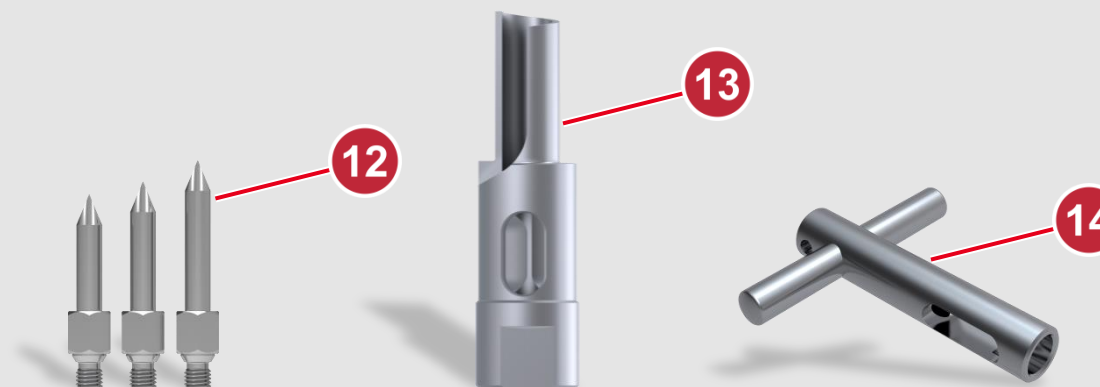


Water Joint torch system

- ✓ Media coupling endless rotatable
- ✓ No torsional stress of the torch cable
- ✓ Bayonet quick change system for easy and quick mounting / maintenance
- ✓ Precision parts optimized for thin metal sheets
- ✓ Thousandfold proven in industry
- ✓ For all robots with inner cable dress
- ✓ 420A at 60% duty cycle / 40°C
- ✓ TCP accuracy $\pm 0.2\text{mm}$ (at TCP 400mm)
- ✓ Supports quick load liners





1 Torch cable for Power Joint torch

	Part-No.	Robot
ABB	61-80-1800	IRB 1600iD
	61-80-2600-15	IRB 2600iD 15-185
	61-80-2600-8	IRB 2600iD 8-200
Fanuc	61-80-100	Arc Mate 100iC
	61-80-100-6	Arc Mate 100iC 6L
	61-80-120	Arc Mate 120iC
	61-80-120-10	Arc Mate 120iC 10L
Kuka	61-80-100-6	KR5 arc HW
	On request	KR16 arc HW
	61-80-16L8	KR16 L8 arc HW
Yaskawa	61-80-1400	MA1400
	61-80-1400	VA1400
	61-80-1440	MA1440
	On request	MA1550
	61-80-1800	MA1800
	61-80-1900	MA1900
61-80-2010	MA2010	

2 Mounting kit for Power Joint

	Part-No.	Robot
ABB	71-80-1600-1	IRB 1600iD
	71-80-2600-1	IRB 2600iD 15-185
	71-80-2600-1	IRB 2600iD 8-200
Fanuc	71-80-1000-1	Arc Mate 100iC
	71-80-1000-1	Arc Mate 100iC 6L
	71-80-1200-1	Arc Mate 120iC
	71-80-1000-1	Arc Mate 120iC-10L
Kuka	71-80-1500-1	KR5 arc HW
	On request	KR16 L8 arc HW
	On request	KR16 arc HW
Yaskawa	71-80-1400-1	MA1400
	71-80-1400-1	VA1400
	71-80-2010-1	MA1440
	On request	MA1550
	71-80-1800-1	MA1800
	71-80-1400-1	MA1900
71-80-2010-1	MA2010	

3 Water Joint Module

	Part-No.	Robot
ABB	71-80-100	IRB 1600iD
	71-80-200	IRB 2600iD 15-185
	71-80-200	IRB 2600iD 8-200
Fanuc	71-80-100	Arc Mate 100iC
	71-80-100	Arc Mate 100iC 6L
	71-80-200	Arc Mate 120iC
	71-80-100	Arc Mate 120iC-10L
Kuka	71-80-100	KR5 arc HW
	71-80-100	KR16 L8 arc HW
	71-80-100	KR16 arc HW
Yaskawa	71-80-100	MA1400
	71-80-300	MA1440
	71-80-100	VA1400
	71-80-300	MA1550
	71-80-200	MA1800
	71-80-100	MA1900
71-80-300	MA2010	

4 SKS collision protection Power Joint

Part-No.	71-9-0
----------	--------

5 Liner for SKS torch system

Part-No.	Length	Wire Ø (steel)
415-35-6Q	1.8m	0.8-1.0 mm
415-35-10Q	3.0m	0.8-1.0 mm
415-116-6Q	1.8m	1.2-1.6 mm
415-116-10Q	3.0m	1.2-1.6 mm
415-26	Endhülse für Drahtseele	
Part-No.	Length	Wire Ø (Al)
91-68-47025-25E	Per m.	1.0-1.6 mm
44-30-7	End sleeve	
61-2-0-2-7	End cap	

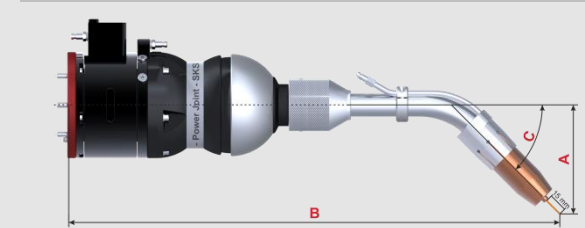
6 Water conduit flow and return for cooling jacket (3.5m self-adjusting)

Part-No.	71-8-16
----------	---------

7 Water conduit flow and return for connection Water Joint

Part-No.	71-8-0-7
----------	----------

8 Torch neck (single wire) - water-cooled -



Part-No.	Distance A	TCP Length B	Angle C
58-427-00-500-1	0 mm	499.0 mm	0°
58-127-22-350-1	45 mm	410.0 mm	22°
58-127-22-400-1	45 mm	460.0 mm	22°
58-127-45-350-1	90 mm	410.0 mm	45°
58-427-345-450-1	120 mm	448.5 mm	45°

9 Heavy duty retaining head Power Lock standard

Part-No.	43-9-2
----------	--------

10 Contact tip Power Lock

Part-No.	Material	Wire Ø
40-4-7-0.8E	Cu-ETP	0.8 mm
40-4-7-0.9E	Cu-ETP	0.9 mm
40-4-7-1.0E	Cu-ETP	1.0 mm
40-4-7-1.2E	Cu-ETP	1.2 mm
40-4-7-0.8S	CuCrZr	0.8 mm
40-4-7-0.9S	CuCrZr	0.9 mm
40-4-7-1.0S	CuCrZr	1.0 mm
40-4-7-1.2S	CuCrZr	1.2 mm
40-4-7-1.4S	CuCrZr	1.4 mm
40-4-7-1.6S	CuCrZr	1.6 mm
40-4-7-1.2AL	CuCrZr	1.2 mm
40-4-7-1.6AL	CuCrZr	1.6 mm

11 Gas nozzle with thread

[All measurements in mm]



Part-No.	41-9-13-BF	401-6-50-G	401-81-62-G	41-9-16-TF	401-6-62-G
Ø in mm	13	13	16	16	16
Shape	bottle flush	bottle long	tapered short	tapered flush	tapered long
Length					
Type	Heavy duty	Heavy duty	Heavy duty	Heavy duty	Heavy duty