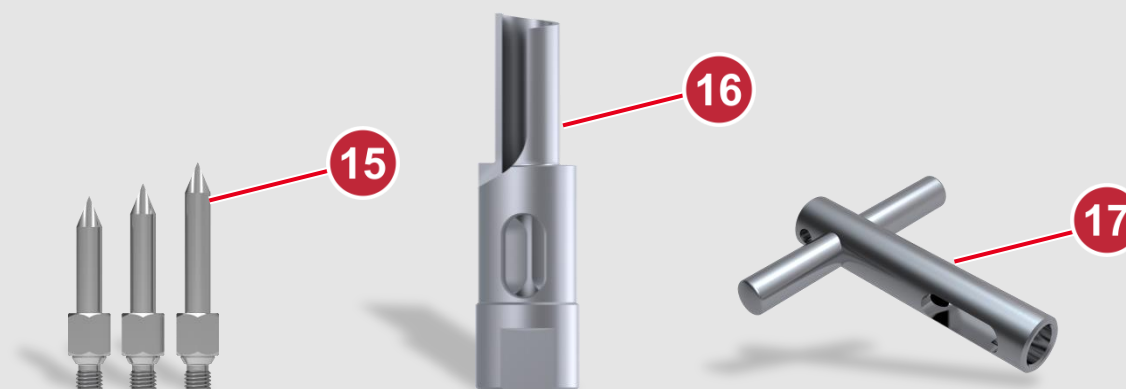


### Power Joint torch system

- ✓ Media coupling endless rotatable
- ✓ No torsional stress of the torch cable
- ✓ Bayonet quick change system for easy and quick installation / maintenance
- ✓ Precision parts optimized for joining of thin metal sheets
- ✓ Thousandfold proven in industry
- ✓ For all robots with inner cable dress
- ✓ 420A at 60% duty cycle / 40°C
- ✓ TCP accuracy  $\pm 0.2\text{mm}$  (at TCP 400mm)
- ✓ Supports quick load liners





**1 Torch cable for Power Joint torch**

Part-No.	Robot
61-80-100-6	IRB 1520iD
61-9-1800	IRB 1600iD
61-9-2600-15	IRB 2600iD 15-185
61-9-2600-8	IRB 2600iD 8-200
<b>ABB</b>	
61-9-100	Arc Mate 100iC
61-9-100-6	Arc Mate 100iC 6L
61-9-120	Arc Mate 120iC
61-9-120-10	Arc Mate 120iC 10L
61-9-120-10	Arc Mate 120iC 12L
<b>Fanuc</b>	
61-9-5	KR5 arc HW
61-9-1800	KR16 arc HW
61-9-16L8	KR16 L8 arc HW
<b>Kuka</b>	
61-9-1400	MA1400
61-9-1440	MA1440
61-9-1400	VA1400
61-9-1800	MA1800
61-9-1900	MA1900
61-9-2010	MA2010
61-9-1440	MH12
61-9-MH24	MH24
<b>Yaskawa</b>	

**2 Mounting kit for Power Joint**

Part-No.	Robot
71-9-0-3	IRB 1520iD
71-9-0-3	IRB 1600iD
71-9-0-9	IRB 2600iD 15-185
71-9-0-9	IRB 2600iD 8-200
71-9-0-4	Arc Mate 100iC
71-9-0-4	Arc Mate 100iC 6L
71-9-0-15	Arc Mate 120iC
71-9-0-4	Arc Mate 120iC 10L
71-9-0-4	Arc Mate 120iC 12L
71-9-0-5	KR5 arc HW
71-9-0-5	KR16 L8 arc HW
71-9-0-8	KR16 arc HW
71-9-0-1	MA1400
71-9-0-16	MA1440
71-9-0-1	VA1400
71-9-0-2	MA1800
71-9-0-1	MA1900
71-9-0-16	MA2010
71-9-0-16	MH12
71-9-0-16	MH24
<b>ABB</b>	
<b>Fanuc</b>	
<b>Kuka</b>	
<b>Yaskawa</b>	

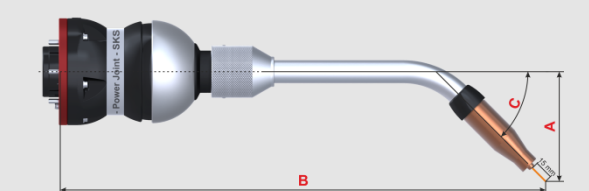
**3 SKS collision protection Power Joint**

Part-No.	71-9-0
----------	--------

**4 Liner for SKS torch system**

Part-No.	Length	Wire Ø (steel)
415-35-6Q	1,8m	0.8-1.0mm
415-35-10Q	3,0m	0.8-1.0mm
415-116-6Q	1,8m	1.2-1.6mm
415-116-10Q	3,0m	1.2-1.6mm
415-26	End sleeve for liner	
Part-No.	Length	Wire Ø (Al)
91-68-47025-25E	Per m.	1.0-1.6mm
44-30-7	End sleeve	
61-2-0-2-7	End cap	

**5 Torch neck (single wire) - air-cooled -**



Part-No.	A Distance	B TCP Length	C Angle
58-1-00-400-1	0 mm	400.0 mm	0°
58-1-22-350-1	45 mm	350.0 mm	22°
58-1-22-400-1	45 mm	400.0 mm	22°
58-1-330-500-1	120 mm	438.5 mm	30°
58-1-130-450-1	0 mm	450.0 mm	30°
58-1-35-400-1	70 mm	400.0 mm	35°
58-1-45-350-1	90 mm	350.0 mm	45°
58-1-45-400-1	90 mm	400.0 mm	45°
58-1-45-450-1	90 mm	450.0 mm	45°
58-4-345-450-1	120 mm	388.5 mm	45°
58-4-345-567-1	120 mm	505.5 mm	45°

**6 Bayonet clamping cap for SKS single wire torch neck**

Part-No.	71-3-25
----------	---------

**7 Torch neck insulator for SKS single wire torch neck**

Part-No.	58-1-5
----------	--------

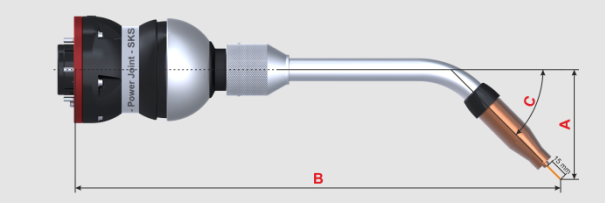
**8 Heavy duty retaining head Power Lock standard**

Part-No.	43-9-2
----------	--------

**9 Contact tip Power Lock**

Part-No.	Material	Wire Ø
40-4-7-0.8E	Cu-ETP	0.8 mm
40-4-7-0.9E	Cu-ETP	0.9 mm
40-4-7-1.0E	Cu-ETP	1.0 mm
40-4-7-1.2E	Cu-ETP	1.2 mm
40-4-7-0.8S	CuCrZr	0.8 mm
40-4-7-0.9S	CuCrZr	0.9 mm
40-4-7-1.0S	CuCrZr	1.0 mm
40-4-7-1.2S	CuCrZr	1.2 mm
40-4-7-1.4S	CuCrZr	1.4 mm
40-4-7-1.6S	CuCrZr	1.6 mm
40-4-7-1.2AL	CuCrZr	1.2mm
40-4-7-1.6AL	CuCrZr	1.6 mm

**11 Torch neck 45° (single wire) - air-cooled - ZK**



Part-No.	A Distance	B TCP-Length	C Angle
58-1-245-400-1	62 mm	400,0 mm	45°

**12 Torch neck insulator ZK for SKS single wire torch neck**

Part-No.	Suitable for gas nozzle
43-6-4-2	ZK standard
43-6-4-3	ZK heavy duty

**13 Heavy duty retaining head Power Lock ZK**

Part-No.	43-8-6
----------	--------

**14 Gas nozzle ZK with thread**

[All measurements in mm]

Part-No.	Ø in mm	Shape	Length	Type
41-8-113	13	bottle	short	standard
41-8-113-BF	13	bottle	flush	standard
41-8-115	15	bottle	short	standard
41-8-115-BF	15	bottle	flush	standard
41-9-113-TF	13	tapered	flush	Heavy duty
41-9-115-TF	15	tapered	flush	Heavy duty

**10 Gas nozzle with thread**

[All measurements in mm]

Part-No.	Ø in mm	Shape	Length	Type
401-48-50-G	13	bottle	short	standard
41-8-13-BF	13	bottle	flush	standard
401-42-50-G	13	bottle	long	standard
41-8-13-TS	13	tapered	short	standard
41-8-13-TF	13	tapered	flush	standard
401-4-50-G	13	tapered	long	standard
41-9-13-BF	13	bottle	flush	Heavy duty
401-6-50-G	13	tapered	long	Heavy duty
41-8-15-BS	15	bottle	short	standard
401-8-62-G	16	tapered	short	standard
41-8-16-TF	16	tapered	flush	standard
401-4-62-G	16	tapered	long	standard
401-81-62-G	16	tapered	short	Heavy duty
41-9-16-TF	16	tapered	flush	Heavy duty
401-6-62-G	16	tapered	long	Heavy duty