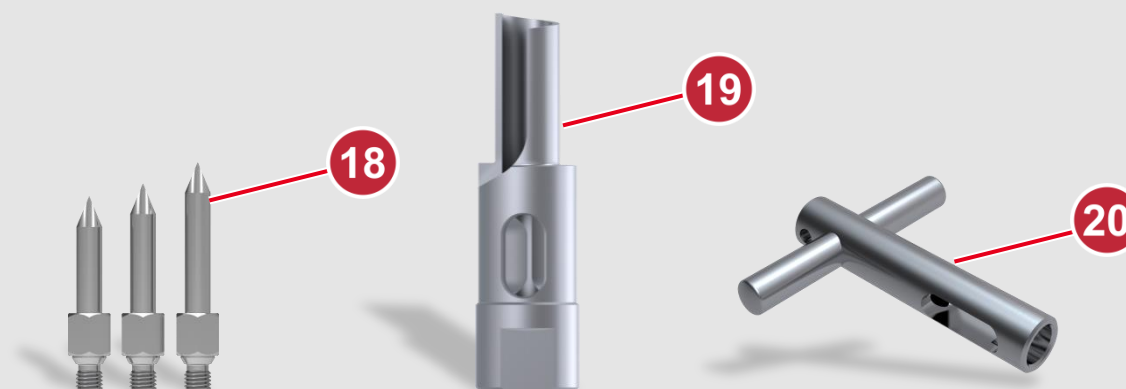


Frontpull 8i torch system

- ✓ Media coupling endless rotatable
- ✓ No torsional stress of the torch cable
- ✓ Bayonet quick-lock system for secure and quick installation / maintenance
- ✓ Precision parts optimized for joining of thin metal sheets
- ✓ Integrated collision detection system
- ✓ For all robot types with inner cable dress
- ✓ 420A at 60% duty cycle / 40°C
- ✓ TCP accuracy ± 0.2 mm (at TCP 400mm)





1 Torch cable for Frontpull 8i torch system

Part-No.	Robot
61-80-100-6	IRB 1520iD*
61-9-1800	IRB 1600iD*
61-9-2600-15	IRB 2600iD 15-185*
61-9-2600-8	IRB 2600iD 8-200**
61-9-100	Arc Mate 100iC*
61-9-100-6	Arc Mate 100iC 6L*
61-9-120	Arc Mate 120iC*
61-9-120-10	Arc Mate 120iC 10L*
61-9-120-10	Arc Mate 120iC 12L**
61-9-5	KR5 arc HW*
61-9-1800	KR16 arc HW*
61-9-16L8	KR16 L8 arc HW**
61-9-1400	MA1400*
61-9-1440	MA1440*
61-9-1400	VA1400*
61-9-1800	MA1800*
61-9-1900	MA1900**
61-9-2010	MA2010**
61-9-1440	MH12*
61-9-MH24	MH24*
Part-No.	Control cable (not shown)
77-2013-06	Control cable 1.2m
77-2013-061	Control cable 1.5m
571040310	Velcro set

2 Mounting kit for Frontpull 8i

Part-No.	Robot
10-14-0-3	IRB 1520iD
10-14-0-3	IRB 1600iD
10-14-0-9	IRB 2600iD 15-185
10-14-0-9	IRB 2600iD 8-200
10-14-0-4	Arc Mate 100iC
10-14-0-4	Arc Mate 100iC 6L
10-14-0-6	Arc Mate 120iC
10-14-0-4	Arc Mate 120iC 10L
10-14-0-4	Arc Mate 120iC 12L
10-14-0-5	KR5 arc HW
10-14-0-5	KR16 L8 arc HW
10-14-0-8	KR16 arc HW
10-14-0-1	MA1400
10-14-0-14	MA1440
10-14-0-1	VA1400
10-14-0-2	MA1800
10-14-0-1	MA1900
10-14-0-14	MA2010
10-14-0-14	MH12
10-14-0-14	MH24

3 Frontpull 8i torch body

Part-No.	10-14
-----------------	-------

4 Bayonet clamping cap for SKS single wire torch neck

Part-No.	71-3-25
-----------------	---------

5 Drive roll

Part-No.	Wire Ø (steel)
12-2-4-08	0.8 mm (V-groove)
12-2-4-09	0.9 mm (V-groove)
12-2-4-10	1.0 mm (V-groove)
12-2-4-12	1.2 mm (V-groove)
12-2-4-14	1.4 mm (V-groove)
12-2-4-16	1.6 mm (V-groove)
Part-No.	Wire Ø (Al)
12-2-4-112	1.2 mm (U-groove)
12-2-4-116	1.6 mm (U-groove)

6 Pressure roll

Part-No.	Wire Ø
12-2-3-0	<2.0 mm
12-13-5	Fitting screw

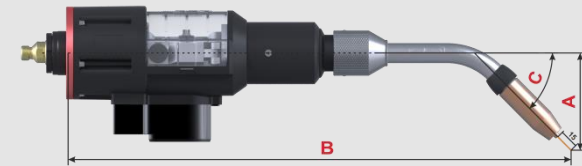
7 Liner for SKS torch system

Part-No.	Length	Wire Ø (steel)
44-22-1216-20	2.0 m	1.2-1.6 mm
44-22-1216-35	3.0 m	1.2-1.6 mm
44-22-1216-50	5.0 m	1.2-1.6 mm
44-30-3		End sleeve
44-30-16		Inset for liner
Part-No.	Length	Wire Ø (Al)
91-68-47025-25E	Per m.	1.0-1.6 mm (Al)
44-30-7		End sleeve
44-30-14		Inset for liner
61-2-0-2-7		End cap

8 Liner for SKS single wire torch neck

Part-No.	Wire Ø (steel)
58-4-4-500	0.8-1.0 mm
58-4-3-500	1.2-1.6 mm
Part-No.	Wire Ø (Al)
58-4-9-500	1.0-1.6 mm

9 Torch neck (single wire) - air-cooled -



Part-No.	A Distance	B TCP-Length	C Angle
58-1-00-400-1	0 mm	530.0 mm	0°
58-1-22-350-1	45 mm	480.0 mm	22°
58-1-22-400-1	45 mm	530.0 mm	22°
58-1-330-500-1	120 mm	568.5 mm	30°
58-1-130-450-1	0 mm	580.0 mm	30°
58-1-35-400-1	70 mm	430.0 mm	35°
58-1-45-350-1	90 mm	480.0 mm	45°
58-1-45-400-1	90 mm	430.0 mm	45°
58-1-45-450-1	90 mm	580.0 mm	45°
58-4-345-450-1	120 mm	518.5 mm	45°
58-4-345-567-1	120 mm	635.5 mm	45°

10 Torch neck insulator for SKS single wire torch neck

Part-No.	58-1-5
-----------------	--------

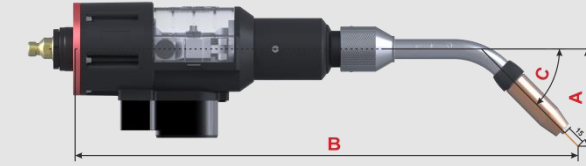
11 Heavy duty retaining head Power Lock standard

Part-No.	43-9-2
-----------------	--------

12 Contact tip Power Lock

Part-No.	Material	Wire Ø
40-4-7-0.8E	Cu-ETP	0.8 mm
40-4-7-0.9E	Cu-ETP	0.9 mm
40-4-7-1.0E	Cu-ETP	1.0 mm
40-4-7-1.2E	Cu-ETP	1.2 mm
40-4-7-0.8S	CuCrZr	0.8 mm
40-4-7-0.9S	CuCrZr	0.9 mm
40-4-7-1.0S	CuCrZr	1.0 mm
40-4-7-1.2S	CuCrZr	1.2 mm
40-4-7-1.4S	CuCrZr	1.4 mm
40-4-7-1.6S	CuCrZr	1.6 mm
40-4-7-1.2AL	CuCrZr	1.2 mm
40-4-7-1.6AL	CuCrZr	1.6 mm

14 Torch neck 45° (single wire) - air-cooled - ZK



Part-No.	A Distance	B TCP-Length	C Angle
58-1-245-400-1	62 mm	530.0 mm	45°

15 Torch neck Insulator ZK for SKS single wire torch neck

Part-No.	Suitable for gas nozzle
43-6-4-2	ZK standard
43-6-4-3	ZK heavy duty

16 Heavy duty retaining head Power Lock ZK

Part-No.	43-8-6
-----------------	--------

17 Gas nozzle ZK with thread

[All measurements in mm]

Part-No.	Ø in mm	Shape	Length	Type
41-8-113	13	bottle	short	standard
41-8-113-BF	13	bottle	flush	standard
41-8-115	15	bottle	short	standard
41-8-115-BF	15	bottle	flush	standard
41-9-113-TF	13	tapered	flush	Heavy duty
41-9-115-TF	15	tapered	flush	Heavy duty

13 Gas nozzle with thread

[All measurements in mm]

Part-No.	Ø in mm	Shape	Length	Type
401-48-50-G	13	bottle	short	standard
41-8-13-BF	13	bottle	flush	standard
401-42-50-G	13	bottle	long	standard
41-8-13-TS	13	tapered	short	standard
41-8-13-TF	13	tapered	flush	standard
401-4-50-G	13	tapered	long	standard
41-9-13-BF	13	bottle	flush	Heavy duty
401-6-50-G	13	tapered	long	Heavy duty
41-8-15-BS	15	bottle	short	standard
401-8-62-G	16	tapered	short	standard
41-8-16-TF	16	tapered	flush	standard
401-4-62-G	16	tapered	long	standard
401-81-62-G	16	tapered	short	Heavy duty
41-9-16-TF	16	tapered	flush	Heavy duty
401-6-62-G	16	tapered	long	Heavy duty