

### Frontpull 8 Torch System – 23° version

- ✓ Precision next to the process
- ✓ For all robots with outer cable dress
- ✓ Supports microMIG / microMIG-cc welding process
- ✓ For heat-reduced welding with defined penetration
- ✓ Practically spatter-free
- ✓ Wire feeder integrated into the torch system
- ✓ Due to system design no synchronization problems
- ✓ Integrated collision detection (10° deflection)
- ✓ TCP accuracy ± 0.2 mm (at TCP 400 mm)
- ✓ Wire diameter 0.8-1.6mm
- ✓ 42DA at 60% duty cycle / 40°C



**1 Connection flange Power Clutch**

Part-No.	Robot
63-4-1	Fanuc / Kuka / Motoman
63-4-2	Reis
63-4-3	Reis / Kuka
63-4-5	ABB
63-4-8	Fanuc
63-4-13	ABB

**2 SKS collision protection Power Clutch HD**

Part-No.	71-16
----------	-------

**3 Liner for SKS torch systems**

Part-No.	Length	Wire Ø (steel)
44-22-1216-20	2.0m	0.8-1.6mm
44-22-1216-35	3.5m	0.8-1.6mm
44-22-1216-50	5.0m	0.8-1.6mm
44-30-3	End sleeve	
44-30-16	Inset for steel liner	
Part-No.	Length	Wire Ø (Aluminum)
91-68-47025-25E	Per m.	1.0-1.6mm (Al)
44-30-7	End sleeve	
10-5-29	Inset for Al-liner	
61-2-0-2-7	End cap	

**4 Frontpull 8 torch body 23° version including torch holder**

Part-No.	10-15
----------	-------

**5 Torch cable for torch systems**

Part-No.	Length	Control cable for Frontpull Torch System (not shown)	Part-No.	Length
61-5-075	0.75m +	77-2013-06	1.50m	
61-5-09	0.90m +	77-2013-063	1.70m	
61-5-10	1.00m +	77-2013-064	1.80m	
61-5-12	1.20m +	77-2013-066	2.00m	
61-5-15	1.50m +	77-2013-062	2.30m	
61-5-18	1.80m +	77-2013-067	2.60m	
61-5-20	2.00m +	77-2013-068	2.80m	
61-5-24	2.40m +	77-2013-069	3.20m	
571040310	Velcro set			

**6 Drive roll**

Part-No.	Wire Ø (steel)
12-2-4-08	0.8mm (V-groove)
12-2-4-09	0.9mm (V-groove)
12-2-4-10	1.0mm (V-groove)
12-2-4-12	1.2mm (V-groove)
12-2-4-14	1.4mm (V-groove)
12-2-4-16	1.6mm (V-groove)
Part-No.	Wire Ø (Al)
12-2-4-112	1.2mm (U-groove)
12-2-4-116	1.2mm (U-groove)

**7 Pressure roll**

Part-No.	Wire Ø (steel)
12-2-3-0	<2.0mm
12-13-5	Fitting screw

**8 Bayonet-clamping cap for SKS single wire torch neck**

Part-No.	71-3-25
----------	---------

**9 Liner for torch neck**

Part-No.	Wire Ø (steel)
58-4-4-500	0.8-1.0mm
58-4-3-500	1.2-1.6mm
Part-No.	Wire Ø (Al)
58-4-9-500	1.0-1.6mm

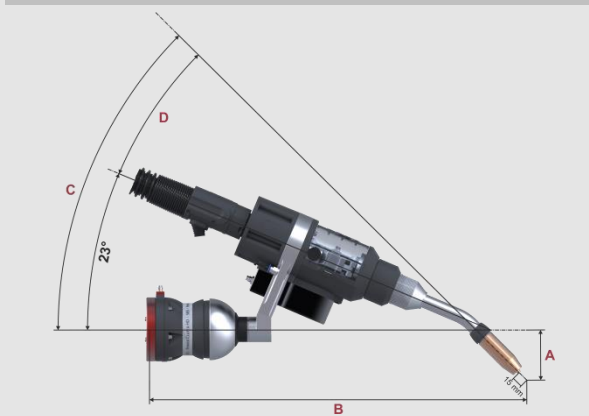
**10 Torch neck insulator for SKS single wire torch neck**

Part-No.	58-1-5
----------	--------

**11 Heavy duty retaining head Power Lock standard**

Part-No.	43-9-2
----------	--------

**12 Torch neck (single wire) - air-cooled -**

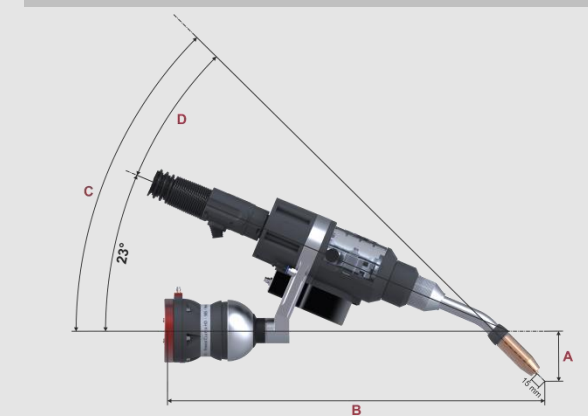


Part-No.	Distance A	TCP-Length B	Angle D
58-1-00-400-1	48.1 mm	583.6 mm	0°
58-1-22-350-1	70.0 mm	520.0 mm	22°
58-1-22-400-1	89.5 mm	566.0 mm	30°
58-1-330-500-1	on request	on request	30°
58-1-130-450-1	on request	on request	35°
58-1-35-400-1	on request	on request	45°
58-1-45-350-1	on request	on request	45°
58-1-45-400-1	on request	on request	45°
58-1-45-450-1	on request	on request	45°
58-4-345-450-1	on request	on request	45°
58-4-345-567-1	on request	on request	45°

**13 Kontaktdüse Power Lock**

Part-No.	Material	Wire Ø
40-4-7-0.8E	Cu-ETP	0.8 mm
40-4-7-0.9E	Cu-ETP	0.9 mm
40-4-7-1.0E	Cu-ETP	1.0 mm
40-4-7-1.2E	Cu-ETP	1.2 mm
40-4-7-0.8S	CuCrZr	0.8 mm
40-4-7-0.9S	CuCrZr	0.9 mm
40-4-7-1.0S	CuCrZr	1.0 mm
40-4-7-1.2S	CuCrZr	1.2 mm
40-4-7-1.4S	CuCrZr	1.4 mm
40-4-7-1.6S	CuCrZr	1.6 mm
40-4-7-1.2AL	CuCrZr	1.2 mm
40-4-7-1.6AL	CuCrZr	1.6 mm

**15 Torch neck 45° (single wire) - air-cooled - ZK**



Part-No.	Distance A	TCP-Length B	Angle D
58-1-245-400-1	on request	on request	45°

**16 Torch neck insulator ZK for SKS single wire torch neck**

Part-No.	Suitanle for gas nozzle
43-6-4-2	ZK standard
43-6-4-3	ZK heavy duty

**17 Heavy duty retaining head Power Lock ZK**

Part-No.	43-8-6
----------	--------

**18 Gas nozzle ZK with thread**

Part-No.	Ø in mm	Shape	Length	Type
41-8-113	13	bottle	short	standard
41-8-113-BF	13	bottle	flush	standard
41-8-115	15	bottle	short	standard
41-8-115-BF	15	bottle	flush	standard
41-9-113-TF	13	tapered	flush	Heavy duty
41-9-115-TF	15	Tapered	flush	Heavy duty

[All measurements in mm]

**14 Gas nozzle with thread**

Part-No.	Ø in mm	Shape	Length	Type
401-48-50-G	13	bottle	short	standard
41-8-13-BF	13	bottle	flush	standard
401-42-50-G	13	bottle	long	standard
41-8-13-TS	13	tapered	short	standard
41-8-13-TF	13	tapered	flush	standard
401-4-50-G	13	tapered	long	standard
41-9-13-BF	13	bottle	flush	Heavy duty
401-6-50-G	13	tapered	long	Heavy duty
41-8-15-BS	15	bottle	short	standard
401-8-62-G	16	tapered	short	standard
41-8-16-TF	16	tapered	flush	standard
401-4-62-G	16	tapered	long	standard
401-81-62-G	16	tapered	short	Heavy duty
41-9-16-TF	16	tapered	flush	Heavy duty
401-6-62-G	16	tapered	long	Heavy duty

[All measurements in mm]