



1 Connection Flange Power Clutch

Part-No.	Robot
63-4-1	Fanuc / Kuka / Motoman
63-4-2	Reis
63-4-3	Reis / Kuka
63-4-5	ABB
63-4-8	Fanuc
63-4-13	ABB

2 TCP-Extension 35mm for Frontpull 8 - 0° Version

Part-No.	93-57
----------	-------

3 SKS Collision Protection Power Clutch HD

Part-No.	71-16
----------	-------

4 Frontpull 8 Torch Body (0° Version)

Part-No.	10-16
----------	-------

5 Drive Roll

Part-No.	Wire Ø (Al)
12-2-4-112	1.2 mm (U-groove)
12-2-4-116	1.6 mm (U-groove)

6 Pressure Roll

Part-No.	Wire Ø (Al)
12-2-5-112	1.2mm (U-groove)
12-2-5-116	1.6mm (U-groove)
12-2-1-23	Locating Bolt
12-2-1-24	Knurled Screw

7 Torch Cable for Torch System Control Cable Frontpull Torch System (not shown)

Part-No.	Length	Part-No.	Length
61-5-075	0.75m +	77-2013-06	1.50m
61-5-09	0.90m +	77-2013-063	1.70m
61-5-10	1.00m +	77-2013-064	1.80m
61-5-12	1.20m +	77-2013-066	2.00m
61-5-15	1.50m +	77-2013-062	2.30m
61-5-18	1.80m +	77-2013-067	2.60m
61-5-20	2.00m +	77-2013-068	2.80m
61-5-24	2.40m +	77-2013-069	3.20m

571040310 Velcro black

8 Liner for SKS Torch System

Part-No.	Length	Wire Ø (Al)
91-68-47025-25E	Per meter	1.0-1.6 mm (Al)
44-30-7		End Sleeve
44-30-14		Inlet Body
61-2-0-2-7		End Cap

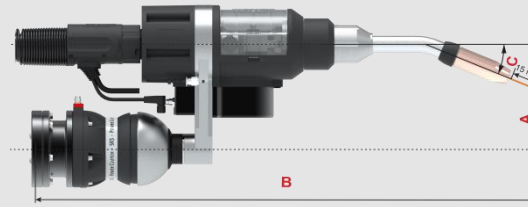
9 Liner for SKS Torch Neck

Part-No.	Wire Ø (Al)
58-4-10-500	1.0-1.6 mm
44-30-14	Inlet Body

10 Bayonet-Clamping Cap for SKS single wire torch neck

Part-No.	71-3-25
----------	---------

11 Torch Neck (Single Wire) - air-cooled -



Part-No.	Distance A	TCP Length B	Angle C
58-1-00-400-1	120 mm	611.5 mm	0°
58-1-22-350-1	75 mm	561.5 mm	22°
58-1-22-400-1	75 mm	611.5 mm	22°
58-4-345-450-1	0 mm	600.0 mm	45°
58-4-345-567-1	0 mm	717.0 mm	45°

12 Torch Neck Insulator for SKS sSingle Wire Torch Neck

Part-No.	58-1-5
----------	--------

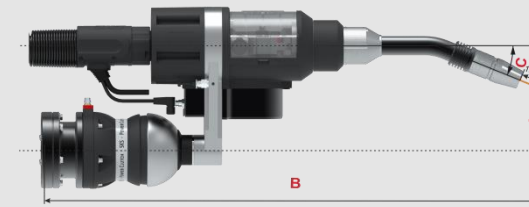
13 High Performance Retaining Head Power Lock with 6 Drills

Part-No.	43-9-4
----------	--------

14 Contact Tip Power Lock

Part-No.	Material	Wire Ø
40-4-7-1.2AL	CuCrZr	1.2 mm
40-4-7-1.6AL	CuCrZr	1.6 mm

16 Torch Neck (Single Wire) HQX - air-cooled -



Part-No.	Distance A	TCP Length B	Angle C
58-1-600-400-1	120 mm	611.5 mm	0°
58-1-622-350-1	75 mm	561.5 mm	22°
58-1-622-400-1	75 mm	611.5 mm	22°
58-4-6345-450-1	0 mm	600.0 mm	45°
58-4-6345-567-1	0 mm	717.0 mm	45°

17 Torch Neck Insulator HQX for SKS Single Wire Torch Neck HQX (Spare Part)

Part-No.	58-1-14
----------	---------

18 High Performance Retaining Head Power Lock Plus HQX

Part-No.	43-20-3
----------	---------

19 Contact Tip Power Lock Plus

Part-No.	Material	Wire Ø
40-6-7-1.2AL	CuCrZr	1.2 mm
40-6-7-1.6AL	CuCrZr	1.6 mm

24 Frontpull 8 Modul FPM8

Part-No.	10-15-200
----------	-----------

25 Center Guide

Part-No.	12-2-1-19 (Al 1.0-1.6mm)
----------	--------------------------

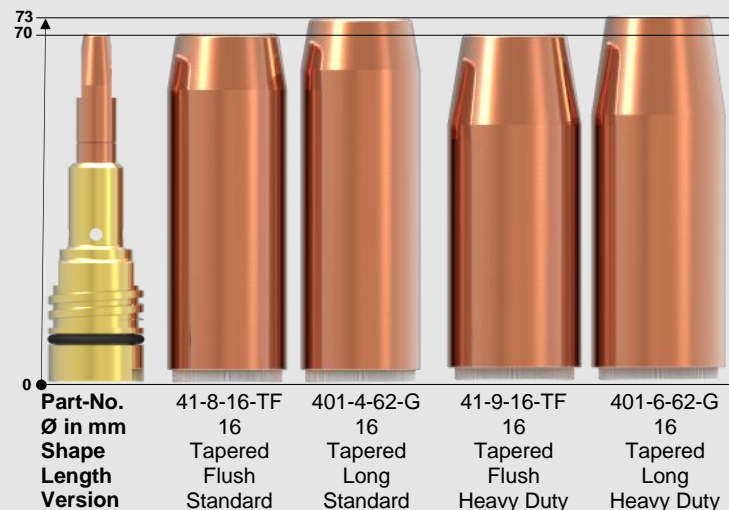
26 Wire Inlet Body

with M10 inner thread for ESAB	10-2-0-50
with UNF 3/8" x 24 outer thread	10-2-0-51
with 9,6 mm drill	10-2-0-52
with 13 mm drill	10-2-0-53
with PG9 thread	10-2-0-56
with 1/4" inner thread	10-2-0-60

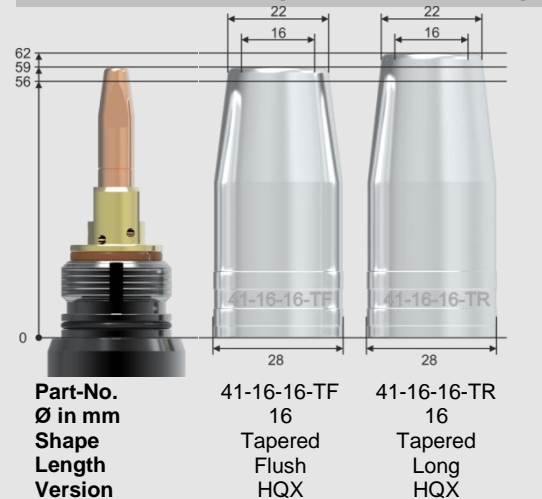
27 Inset for Wire Inlet Body (Al-Wire)

for Typ 50/52/53/54/59/60/61	10-2-0-57-3
for Typ 51/55/56	10-2-0-58-3

15 Gas Nozzle with thread [All measurements in mm]



20 Gas Nozzle HQX with thread [All measurements in mm]



21 Programming Tip

Stick Out	Power Lock	Power Lock Plus
12 mm	65-6	65-11
15 mm	65-7	65-12
18 mm	65-8	

22 Reamer Blade for Gas Nozzle

Part-No.	For Gas Nozzle
66-16-F	16 mm, flush (Power Lock UNF 3/8"x24)
66-16-R	16 mm, long (Power Lock UNF 3/8"x24)
67-16-F	16 mm, flush (Power Lock eReam)
67-16-R	16 mm, long (Power Lock eReam)
68-16-F	16 mm, flush (Power Lock Plus UNF 3/8"x24)
68-16-R	16 mm, long (Power Lock Plus UNF 3/8"x24)
69-16-F	16 mm, flush (Power Lock Plus eReam)
69-16-R	16 mm, long (Power Lock Plus eReam)

22 Reamer Blade for Gas Nozzle HQX

Part-No.	For Gas Nozzle
66-16-HD-F	16 mm, flush (Power Lock UNF 3/8"x24)
66-16-HD-R	16 mm, long (Power Lock UNF 3/8"x24)
67-16-HD-F	16 mm, flush (Power Lock eReam)
67-16-HD-R	16 mm, long (Power Lock eReam)
68-16-HD-F	16 mm, flush (Power Lock Plus UNF 3/8"x24)
68-16-HD-R	16 mm, long (Power Lock Plus UNF 3/8"x24)
69-16-HD-F	16 mm, flush (Power Lock Plus eReam)
69-16-HD-R	16 mm, long (Power Lock Plus eReam)

23 Mounting Tool SW6 for Power Lock Contact Tip

Power Lock	51-9001-00
Power Lock Plus	51-9002-00