

Frontpull 7 Torch System - 23° Version

- ✓ Precision next to the process
- ✓ For all robots with outer cable dress
- ✓ Supports microMIG / microMIG-cc welding process
- ✓ For heat-reduced welding with defined penetration
- ✓ Practically spatter-free
- ✓ Wire feeder integrated into the torch system
- ✓ Due to system design no synchronization problems
- ✓ Integrated collision detection (10° deflection)
- ✓ TCP accuracy ± 0.2 mm (at TCP 400 mm)
- ✓ Wire diameter 0.8-1.6mm
- ✓ 42DA at 60% duty cycle / 40°C

1 Connection flange Power Clutch

Part-No.	Robot
63-4-1	Fanuc / Kuka / Motoman
63-4-2	Reis
63-4-3	Reis / Kuka
63-4-5	ABB
63-4-8	Fanuc
63-4-13	ABB

2 SKS collision protection Power Clutch HD

Part-No.	
71-16	

3 Liner for SKS torch systems

Part-No.	Length	Wire Ø (steel)
44-22-1216-20	2.0m	0.8-1.6mm
44-22-1216-35	3.5m	0.8-1.6mm
44-22-1216-50	5.0m	0.8-1.6mm
44-30-3		End sleeve
Part-No.	Length	Wire Ø (Aluminum)
91-68-47025-25E	Per m.	1.0-1.6mm (Al)
44-30-7		End sleeve
10-5-29		Inset for Al-liner
61-2-0-2-7		End cap

4 Frontpull torch body - 23° version including torch holder

Part-No.	
10-4	

5 Torch cable for SKS torch systems Control cable for Frontpull torch system (not shown)

Part-No.	Length	Part-No.	Length
61-5-075	0.75m +	77-2012-10	1.00m
61-5-09	0.90m +	77-2012-12	1.20m
61-5-10	1.00m +	77-2012-13	1.30m
61-5-12	1.20m +	77-2012-15	1.50m
61-5-15	1.50m +	77-2012-18	1.80m
61-5-18	1.80m +	77-2012-21	2.10m
61-5-20	2.00m +	77-2012-23	2.30m
61-5-24	2.40m +	77-2012-27	2.70m
571040310			Velcro set
61-2-0-2-5			Power Pin extension

6 Center guide

Part-No.	Wire Ø (steel)
12-2-1-15	<2.0mm
Part-No.	Wire Ø (Al)
12-2-1-19	1.0-1.6mm

7 Drive roll

Part-No.	Wire Ø (steel)
12-2-4-08	0.8mm (V-groove)
12-2-4-09	0.9mm (V-groove)
12-2-4-10	1.0mm (V-groove)
12-2-4-12	1.2mm (V-groove)
12-2-4-14	1.4mm (V-groove)
12-2-4-16	1.6mm (V-groove)
Part-No.	Wire Ø (Al)
12-2-4-112	1.2mm (U-groove)
12-2-4-116	1.6mm (U-groove)

8 Pressure roll

Part-No.	Wire Ø
12-2-3-0	<2.0mm
12-13-5	Fitting screw

9 Bayonet-clamping cap for SKS single wire torch neck

Part-No.	
71-3-25	

10 Liner for torch neck

Part-No.	Wire Ø (steel)
58-4-4-500	0.8-1.0mm
58-4-3-500	1.2-1.6mm
Part-No.	Wire Ø (Al)
58-4-9-500	1.0-1.6mm

11 Torch neck insulator for SKS single wire torch neck

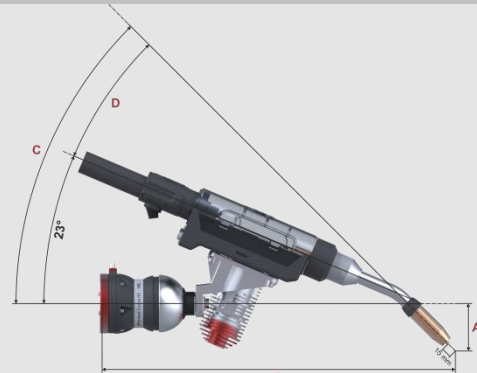
Part-No.	
58-1-5	

12 Heavy duty retaining head Power Lock standard

Part-No.	
43-9-2	



13 Torch neck (single wire) - air-cooled -

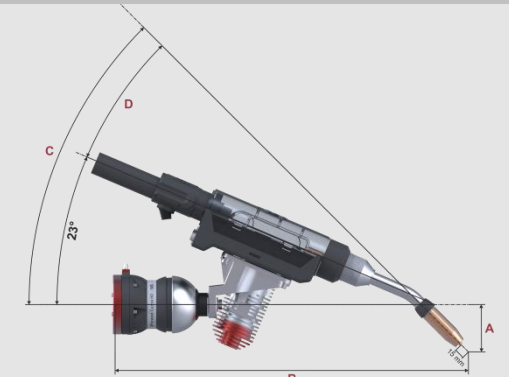


Part-No.	A	B	C	D
58-1-00-400-1	120 mm	611.5 mm	0°	
58-1-22-350-1	75 mm	561.5 mm	22°	
58-1-22-400-1	75 mm	611.5 mm	30°	
58-1-330-500-1	0 mm	650.0 mm	30°	
58-1-130-450-1	120 mm	661.5 mm	35°	
58-1-35-400-1	50 mm	611.5 mm	45°	
58-1-45-350-1	30 mm	561.5 mm	45°	
58-1-45-400-1	30 mm	611.5 mm	45°	
58-1-45-450-1	30 mm	661.5 mm	45°	
58-4-345-450-1	0 mm	600.0 mm	45°	
58-4-345-567-1	0 mm	717.0 mm	45°	

14 Contact tip Power Lock

Part-No.	Material	Wire Ø
40-4-7-0.8E	Cu-ETP	0.8 mm
40-4-7-0.9E	Cu-ETP	0.9 mm
40-4-7-1.0E	Cu-ETP	1.0 mm
40-4-7-1.2E	Cu-ETP	1.2 mm
40-4-7-0.8S	CuCrZr	0.8 mm
40-4-7-0.9S	CuCrZr	0.9 mm
40-4-7-1.0S	CuCrZr	1.0 mm
40-4-7-1.2S	CuCrZr	1.2 mm
40-4-7-1.4S	CuCrZr	1.4 mm
40-4-7-1.6S	CuCrZr	1.6 mm
40-4-7-1.2AL	CuCrZr	1.2 mm
40-4-7-1.6AL	CuCrZr	1.6 mm

16 Torch neck 45° (single wire) - air-cooled - ZK



Part-No.	Distance	TCP-Length	Angle
58-1-245-400-1	58 mm	561.5 mm	45°

17 Torch neck insulator ZK for SKS single wire torch neck

Part-No.	Suitable for gas nozzle
43-6-4-2	ZK standard
43-6-4-3	ZK Heavy duty

18 Heavy duty retaining head Power Lock ZK

Part-No.	
43-8-6	

19 Gas nozzle ZK with thread

[All measurements in mm]

Part-No.	Ø in mm	Shape	Length	Type
41-8-113	13	bottle	short	standard
41-8-113-BF	13	bottle	flush	standard
41-8-115	15	bottle	short	standard
41-8-115-BF	15	bottle	flush	standard
41-9-113-TF	13	tapered	flush	Heavy duty
41-9-115-TF	15	tapered	flush	Heavy duty

15 Gas nozzle with thread

[All measurements in mm]

Part-No.	Ø in mm	Shape	Length	Type
401-48-50-G	13	bottle	short	standard
41-8-13-BF	13	bottle	flush	standard
401-42-50-G	13	bottle	long	standard
41-8-13-TS	13	tapered	short	standard
41-8-13-TF	13	tapered	flush	standard
401-4-50-G	13	tapered	long	standard
41-9-13-BF	13	bottle	flush	Heavy duty
401-6-50-G	13	tapered	long	Heavy duty
41-8-15-BS	15	bottle	short	standard
401-8-62-G	16	tapered	short	standard
41-8-16-TF	16	tapered	flush	standard
401-4-62-G	16	tapered	long	standard
401-81-62-G	16	tapered	short	Heavy duty
41-9-16-TF	16	tapered	flush	Heavy duty
401-6-62-G	16	tapered	long	Heavy duty