

### Dual Wire 2.0 Torch System

- ✓ Available for all robots with outer cable dress
- ✓ High deposition rate
- ✓ High welding speed
- ✓ Easy cleaning (round gas nozzle)
- ✓ Increased durability of the consumables by use of two separated cooling circuits
- ✓ Easier programming by use of two parallel guided wires, Enables punching / dragging welding
- ✓ 560A at 60% duty cycle / 40°C (with standard gas nozzle)
- ✓ 840A at 60% duty cycle / 40°C (with heavy duty gas nozzle)



**1 Connection flange Power Clutch**

Part-No.	Robot
63-4-1	Fanuc / Kuka / Motoman
63-4-2	Reis
63-4-3	Reis / Kuka
63-4-5	ABB
63-4-8	Fanuc
63-4-13	ABB

**2 TCP-Extension**

Part-No.	Extension
93-27	50 mm

**3 SKS Collision protection Power Clutch HD**

Part-No.	
71-16	

**4 Liner for SKS torch system**

Part-No.	Length	Wire Ø
44-24-0810-20	2.0m	0.8-1.0mm (steel)
44-24-0810-35	3.5m	0.8-1.0mm (steell)
44-30-2	End sleeve 44-24-0810-xx	
44-24-1216-20	2.0m	1.2-1.6mm (steel)
44-24-1216-35	3.5m	1.2-1.6mm (steel)
44-30-3	End sleeve 44-24-1216-xx	
91-64-47025-25E	Per m.	1.0-1.6mm (Al)
44-30-7	End sleeve 91-64-47025-25E	
61-2-0-2-7	End cap for Al-liner	

**5 Dual Wire 2.0 torch body including torch holder**

Part-No.	
54-5-1	

**6 Torch cable for SKS torch systems**

Part-No.	Length
61-5-075	0.75m
61-5-09	0.90m
61-5-10	1.00m
61-5-12	1.20m
61-5-15	1.50m
61-5-18	1.80m
61-5-20	2.00m
61-5-24	2.40m
91-3-0-90	Y-cable guide (option)

**7 Torch neck for Dual Wire 2.0 - water-cooled -**

Part-No.	
54-5-3-15-550-1-1	

**8 Bayonet-clamping cap for Dual Wire 2.0**

Part-No.	
54-5-2-9	

**9 Wasserleitung für Kühlmantel Dual Wire 2.0**

Part-No.	
71-8-16	

**10 Water flow / return for cooling jacket**

Part-No.	
93-11-10	

**11 Retaining head or Dual Wire 2.0 torch neck (spare part)**

Part-No.	
54-5-2-12	

**12 Clamping nut for Dual Wire 2.0 retaining head (spare part)**

Part-No.	
54-5-2-13	

**13 Contact tip for Dual Wire 2.0**

Part-No.	Material	Wire Ø
54-5-7-09S	CuCrZr	0.9mm
54-5-7-10S	CuCrZr	1.0mm
54-5-7-12S	CuCrZr	1.2mm
54-5-7-16S	CuCrZr	1.6mm

**14 Gas diffuser ceramic for Dual Wire 2.0**

Part-No.	
54-5-20	

**15 Cooling jacket for Dual Wire 2.0**

Part-No.	
54-5-70-1	

**16 Standard gas nozzle Dual Wire 2.0**

Part-No.	Description
54-5-72-TF	tapered, flush, 18mm
54-5-72-TR	tapered, long, 18mm

**17 Lock nut for gas nozzle**

Part-No.	
54-5-70-2	

**18 Heavy duty gas nozzle for Dual Wire 2.0 (replaces 15-17 & 22)**

Part-No.	Description
54-5-82-18-TR	tapered, long, 18mm
54-5-82-20-TR	tapered, long, 20mm

**19 Reamer blade Power Lock for gas nozzle**

Part-No.	For gas nozzle
66-18-F	18mm, flush
66-18-R	18mm, long
66-20-R	20mm, long

**20 Programming tip for Dual Wire 2.0**

Part-No.	Stick out length
542053200	15mm
542053400	18mm
542053500	20mm

**21 Socket key for retaining head Dual Wire 2.0**

Part-No.	
54-5-2-8	

**22 Arresting key for lock nut**

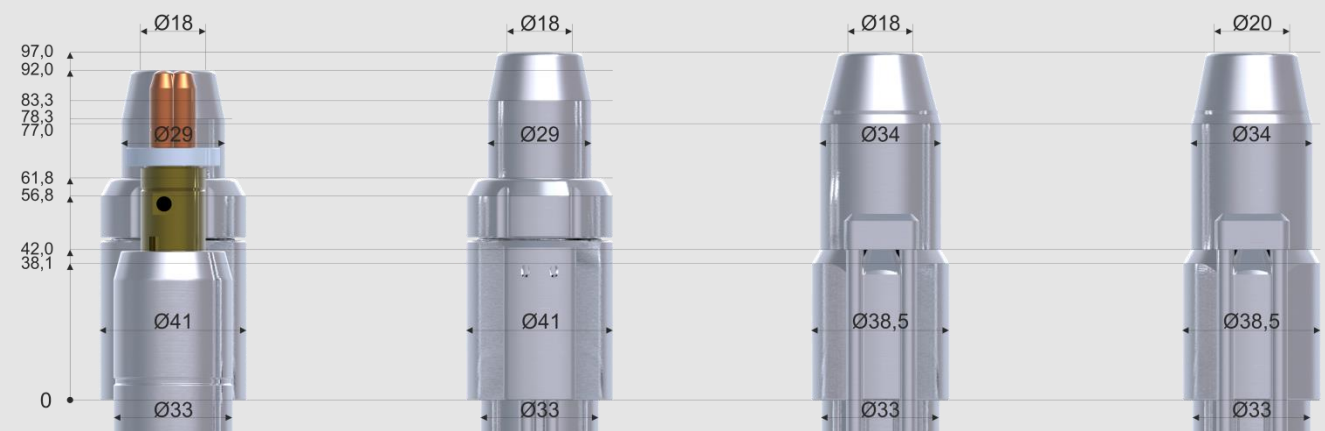
Part-No.	
54-5-70-3	

**23 Water cooling and accesoires for Dual Wire 2.0**

Part-No.	Description
541018400	Wtaer cooler eChilly 1
93-11-0	Water monitoring
571040320	Velcro set

**Dimensions of gas nozzles for Dual Wire 2.0**

[All measurements in mm]



Part-No.	54-5-72-TF	54-5-72-TR	54-5-82-18-TR	54-5-82-20-TR
<b>Ø in mm</b>	18	18	18	20
<b>Shape</b>	tapered	tapered	tapered	Tapered
<b>Length</b>	flush	long	long	Long
<b>Type</b>	standard	standard	Heavy duty	Heavy duty